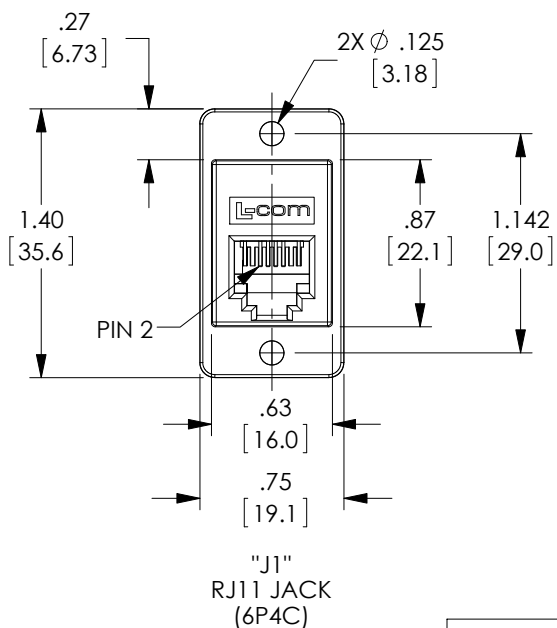
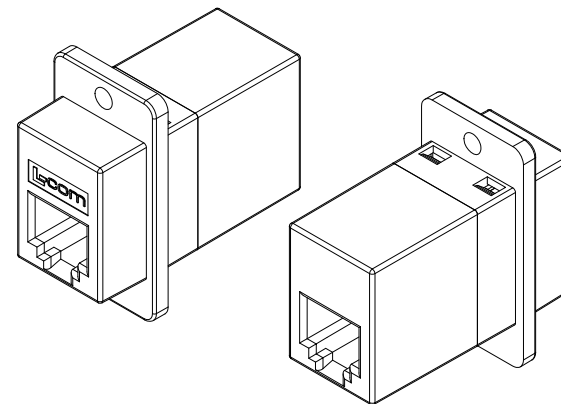
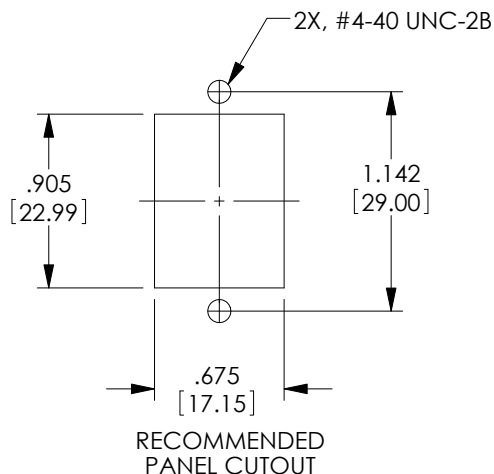
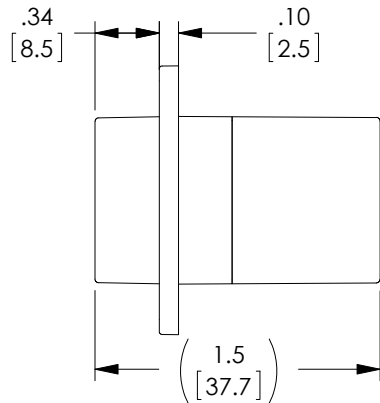


THE INFORMATION CONTAINED IN THIS DRAWING IS THE SOLE PROPERTY OF L-COM, INC. ANY REPRODUCTION IN PART OR WHOLE WITHOUT THE WRITTEN PERMISSION OF L-COM, INC. IS PROHIBITED.

REVISIONS			
REV	DESCRIPTION	DATE	APPROVED
A	CN INITIAL RELEASE	10/27/17	D.CUI



WIRING MAP	
"J1"	"J2"
2	5
3	4
4	3
5	2



NOTES:

MATERIAL:

HOUSING: ABS, UL94V-0, COLOR: IVORY
CONTACTS: PHOSPHOR BRONZE
CONTACT PLATING: GOLD, 30 μ INCHES OVER NICKEL PLATING.

ELECTRICAL:

CURRENT RATING: 2 AMPS (MAX.)
VOLTAGE RATING: 140 VDC

MISCELLANEOUS:

ALL DIMENSIONS SHOWN ARE FOR REFERENCE ONLY.
OPERATING TEMPERATURE RANGE: -10 °C TO +70 °C.
RATING APPLICATION: CATEGORY 3

COMPONENT SHALL BE INDIVIDUALLY PACKAGED IN ACCORDANCE WITH L-COM SPECIFICATION PS-0031.

REGULATORY COMPLIANCE:

CE2011/65/EU (RoHS DIRECTIVE)

UNLESS OTHERWISE SPECIFIED, DIMENSIONS ARE IN INCHES [mm] OVERALL CABLE LENGTH TOLERANCE: ≤12 [305] = +1 [25] / -0 >12 [305] ≤60 [1524] = +2 [51] / -0 >60 [1524] ≤120 [3048] = +4 [102] / -0 >120 [3048] ≤300 [7620] = +6 [152] / -0 >300 [7620] = +5% / -0% ALL OTHER DIMENSIONAL TOLERANCES: .X = ± .2 [5.08] .XX = ± .02 [1.51] .XXX = ± .005 [1.3]	APPROVALS	DATE	50 HIGH STREET NORTH ANDOVER, MA 01845		
	DRAWN BY D.CUI	07/04/17		CATEGORY TELECOM/MODULAR	
	CHECKED BY S.PAN	07/04/17			
	APPROVED BY D.GUITADAURO	07/04/17		PRODUCT DESCRIPTION CPLR PNL MNT 6X4 CROSSED IVRY	
PROJECTION 	COLOR VARIATIONS MAY OCCUR	SIZE A	FSCM NO. 43321	DWG. NO. ECF5044C-IV	REV. A
		SCALE: NONE	CAD FILE: ECF5044C-IV.SLDDRW	SHEET 1 OF 1	